



Electrically driven pumps - -1 (NV-D-1)

Pumps - -1 – are oil vertical semisubmersible centrifugal pumps meant for pumping of oil, oil products, volatile flammable liquids, water with oil and (or) solid impurities. Immersion depth from support plate is up to 6 m. Immersion depth required by customer is reached by connection of several suspension brackets. On suction connection it is possible to mount a filter up to 0.5 m long. Oil pumps are manufactured with a “dry” tube – double mechanical seal with a chamber filled with oil is mounted above the pump casing. Above top casing of the mechanical seal in “dry” tube it is necessary to install emergency level sensor which will give a signal about destruction or wearing of the mechanical seal or in case of emergency ingress of water from outside.

Flow tube of the pumps is made of steels of type 20 13 or other ferrous and non-ferrous metals, as well as of stainless steel 12 18 9 under the agreement with customer. Density of the pumped fluid is up to 1200 kg/m³. Minimal temperature of the pumped fluid is up to -60° , maximum is up to 150° .

For connection with reservoir fitting the support plate (DN = 600 mm, DN = 700 mm, DN = 800 mm) is manufactured in version 5 according to GOST 12815-80 (or other standard under the agreement with customer).

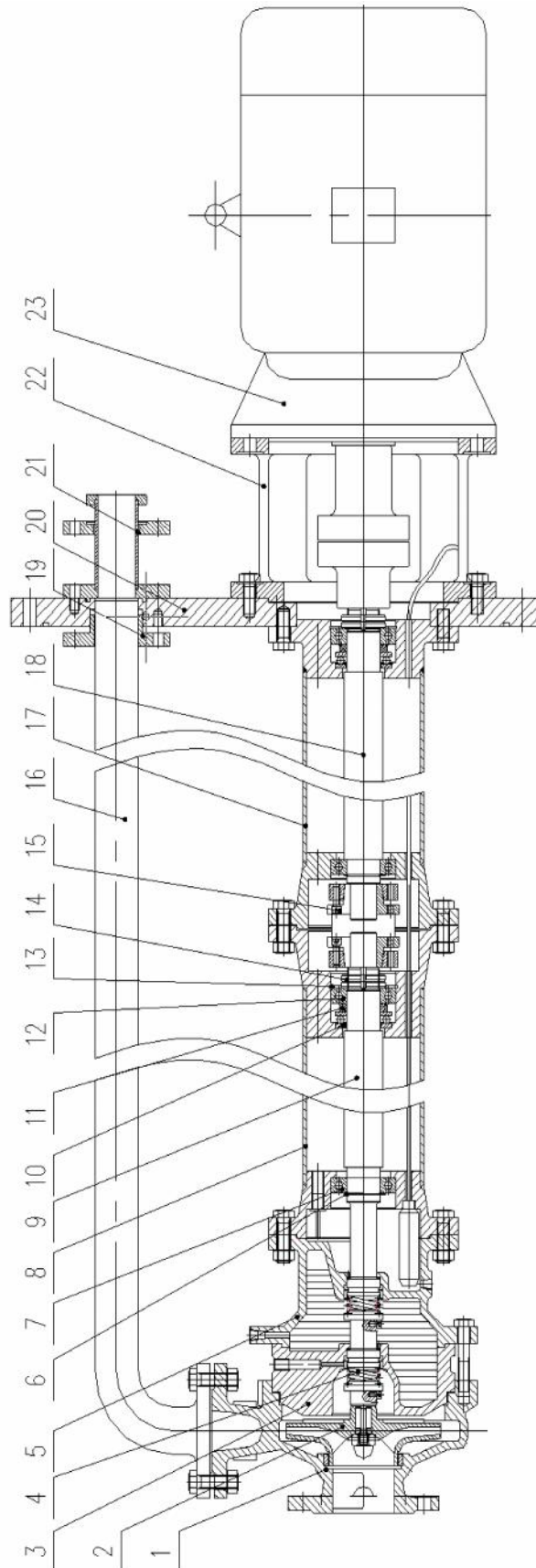
The pumps are manufactured in version 1, 2 according to GOST 15150-69.

Technical characteristics

Type of pump	Nominal giving, m ³ /hour	Nominal pressure, m	Frequency rotations of a shaft of the electric motor, rpm	Capacity of the electric motor, kW
- -1 50/50	50	50	2950	15
- -1 50/80	50	80	2950	30
- -1 3/65	3	65	2950	11
- -1 12,5/20	12,5	20	2950	5,5
- -1 12,5/32	12,5	32	2950	5,5
- -1 12,5/50	12,5	50	2950	7,5
- -1 12,5/80	12,5	80	2950	11
- -1 12,5/100	12,5	100	2950	22
- -1 20/100	20	100	2950	22
- -1 25/20	25	20	1450	5,5
- -1 25/32	25	32	2950	7,5
- -1 25/50	25	50	2950	11
- -1 25/80	25	80	2950	18,5
- -1 25/100	25	100	2950	30
- -1 30/80	30	80	2950	22
- -1 30/90	30	90	2950	30
- -1 40/92	40	92	2950	30
- -1 50/100	50	100	2950	37
- -1 50/120	50	120	2950	37
- -1 50/200	50	200	2950	55
- -1 80/43	80	43	2950	18,5
- -1 80/80	80	80	2950	37



DEVICE AND SPECIFICATION OF DETAILS OF THE PUMP - -1 (NV-D-1)



**ATTENTION!**

The specification of knots of the pump NV-D-1M has the fact-finding character, the full specification of details of these electric pump units is described in the operation manual and is sent in electronic form on request of the customer.

Specification of details

No.	Name of parts	Q-ty
1	Pump casing	1
2	Working wing (propeller)	1
3	Wall	1
4	Rotating part of end sealing	2
5	Oil chamber casing	1
6	Retaining ring	
7	Lower bearing	
8,17	Suspension	
9,18	Shaft	
10	Thrust bearing	
11	Spacer ring	
12	Upper bearing	
13	Suspension bearings casing	
14	Nut	
15	Flexible coupling lag screw	
16	Tap	1
19	Closing sleeve	1
20	Supporting plate	1
21	Pressure tube	1
22	Support	1
23	Electric motor	1



DIMENSIONAL AND CONNECTING SIZES OF THE PUMP - -1 (NV-D-1)

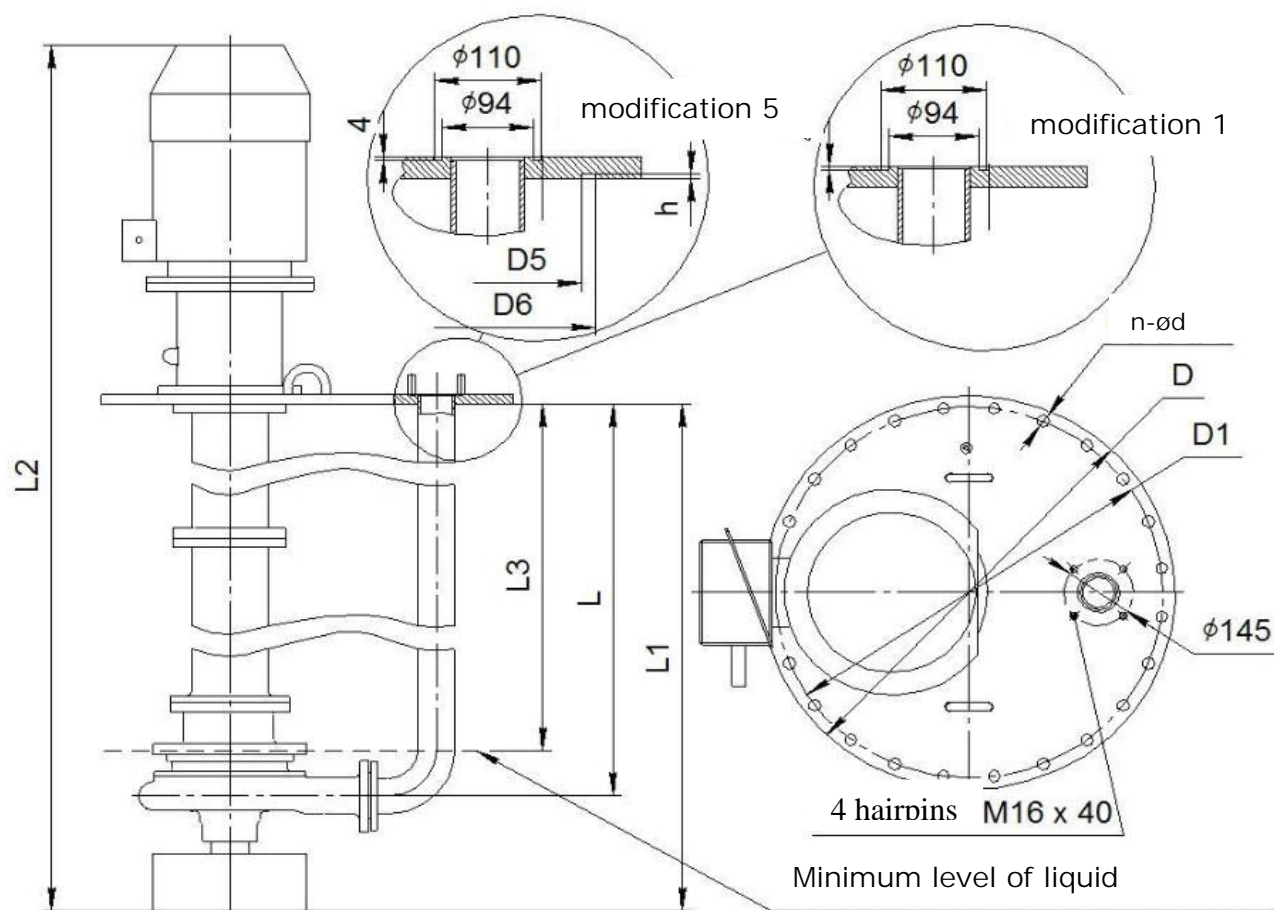


Plate standard size	D	D1	D5	D6	n	d	h
DN700/0,6-1	860	810	-	-	24	26	-
DN800/0,6-1	975	920	-	-	24	29	-
DN700/0,6-5	860	810	736	764	24	26	5
DN800/0,6-5	975	920	840	868	24	29	5



	L	L1	L2	L3		L	L1	L2	L3
НВ-Д1М 50/50 (3,0)	3000	3250	4034	2900	НВ-Д1М 50/50 (4,2)	4200	4450	5234	4100
НВ-Д1М 50/80 (3,0)	3000	3250	4084	2900	НВ-Д1М 50/80 (4,2)	4200	4450	5284	4100
НВ-Д1М 50/100 (3,0)	3000	3250	4084	2900	НВ-Д1М 50/100 (4,2)	4200	4450	5284	4100
НВ-Д1М 25/20 (3,0)	3000	3250	3871	2900	НВ-Д1М 25/20 (4,2)	4200	4450	5071	4100
НВ-Д1М 12,5/32 (3,0)	3000	3250	3518	2900	НВ-Д1М 12,5/32 (4,2)	4200	4450	4718	4100
НВ-Д1М 12,5/50 (3,0)	3000	3250	3518	2900	НВ-Д1М 12,5/50 (4,2)	4200	4450	4718	4100
НВ-Д1М 12,5/80 (3,0)	3000	3250	4034	2900	НВ-Д1М 12,5/80 (4,2)	4200	4450	5234	4100
НВ-Д1М 50/50 (3,3)	3300	3550	4334	3200	НВ-Д1М 50/50 (4,5)	4500	4750	5534	4400
НВ-Д1М 50/80 (3,3)	3300	3550	4384	3200	НВ-Д1М 50/80 (4,5)	4500	4750	5584	4400
НВ-Д1М 50/100 (3,3)	3300	3550	4384	3200	НВ-Д1М 50/100 (4,5)	4500	4750	5584	4400
НВ-Д1М 25/20 (3,3)	3300	3550	4171	3200	НВ-Д1М 25/20 (4,5)	4500	4750	5371	4400
НВ-Д1М 12,5/32 (3,3)	3300	3550	3818	3200	НВ-Д1М 12,5/32 (4,5)	4500	4750	5018	4400
НВ-Д1М 12,5/50 (3,3)	3300	3550	3818	3200	НВ-Д1М 12,5/50 (4,5)	4500	4750	5018	4400
НВ-Д1М 12,5/80 (3,3)	3300	3550	4334	3200	НВ-Д1М 12,5/80 (4,5)	4500	4750	5534	4400
НВ-Д1М 50/50 (3,4)	3400	3650	4434	3300	НВ-Д1М 50/50 (5,0)	5000	5250	6034	4900
НВ-Д1М 50/80 (3,4)	3400	3650	4484	3300	НВ-Д1М 50/80 (5,0)	5000	5250	6084	4900
НВ-Д1М 50/100 (3,4)	3400	3650	4484	3300	НВ-Д1М 50/100 (5,0)	5000	5250	6084	4900
НВ-Д1М 25/20 (3,4)	3400	3650	4271	3300	НВ-Д1М 25/20 (5,0)	5000	5250	5871	4900
НВ-Д1М 12,5/32 (3,4)	3400	3650	3918	3300	НВ-Д1М 12,5/32 (5,0)	5000	5250	5518	4900
НВ-Д1М 12,5/50 (3,4)	3400	3650	3918	3300	НВ-Д1М 12,5/50 (5,0)	5000	5250	5518	4900
НВ-Д1М 12,5/80 (3,4)	3400	3650	4434	3300	НВ-Д1М 12,5/80 (5,0)	5000	5250	6034	4900
НВ-Д1М 50/50 (3,5)	3500	3750	4534	3400	НВ-Д1М 50/50 (5,2)	5200	5450	6234	5100
НВ-Д1М 50/80 (3,5)	3500	3750	4584	3400	НВ-Д1М 50/80 (5,2)	5200	5450	6284	5100
НВ-Д1М 50/100 (3,5)	3500	3750	4584	3400	НВ-Д1М 50/100 (5,2)	5200	5450	6284	5100
НВ-Д1М 25/20 (3,5)	3500	3750	4371	3400	НВ-Д1М 25/20 (5,2)	5200	5450	6071	5100
НВ-Д1М 12,5/32 (3,5)	3500	3750	4018	3400	НВ-Д1М 12,5/32 (5,2)	5200	5450	5718	5100
НВ-Д1М 12,5/50 (3,5)	3500	3750	4018	3400	НВ-Д1М 12,5/50 (5,2)	5200	5450	5718	5100
НВ-Д1М 12,5/80 (3,5)	3500	3750	4534	3400	НВ-Д1М 12,5/80 (5,2)	5200	5450	6234	5100
НВ-Д1М 50/50 (3,7)	3700	3950	4734	3600	НВ-Д1М 50/50 (6,0)	6000	6250	7034	5900
НВ-Д1М 50/80 (3,7)	3700	3950	4784	3600	НВ-Д1М 50/80 (6,0)	6000	6250	7084	5900
НВ-Д1М 50/100 (3,7)	3700	3950	4784	3600	НВ-Д1М 50/100 (6,0)	6000	6250	7084	5900
НВ-Д1М 25/20 (3,7)	3700	3950	4571	3600	НВ-Д1М 25/20 (6,0)	6000	6250	6871	5900
НВ-Д1М 12,5/32 (3,7)	3700	3950	4218	3600	НВ-Д1М 12,5/32 (6,0)	6000	6250	6518	5900
НВ-Д1М 12,5/50 (3,7)	3700	3950	4218	3600	НВ-Д1М 12,5/50 (6,0)	6000	6250	6518	5900
НВ-Д1М 12,5/80 (3,7)	3700	3950	4734	3600	НВ-Д1М 12,5/80 (6,0)	6000	6250	7034	5900
НВ-Д1М 50/50 (4,0)	4000	4250	5034	3900	НВ-Д1М 50/50 (6,2)	6200	6450	7234	6100
НВ-Д1М 50/80 (4,0)	4000	4250	5084	3900	НВ-Д1М 50/80 (6,2)	6200	6450	7284	6100
НВ-Д1М 50/100 (4,0)	4000	4250	5084	3900	НВ-Д1М 50/100 (6,2)	6200	6450	7284	6100
НВ-Д1М 25/20 (4,0)	4000	4250	4871	3900	НВ-Д1М 25/20 (6,2)	6200	6450	7071	6100
НВ-Д1М 12,5/32 (4,0)	4000	4250	4518	3900	НВ-Д1М 12,5/32 (6,2)	6200	6450	6718	6100
НВ-Д1М 12,5/50 (4,0)	4000	4250	4518	3900	НВ-Д1М 12,5/50 (6,2)	6200	6450	6718	6100
НВ-Д1М 12,5/80 (4,0)	4000	4250	5034	3900	НВ-Д1М 12,5/80 (6,2)	6200	6450	7234	6100